

From Wave Parks
To Wading Pools,
We Have A NEXGEN®
System To Meet
Your Needs.



ChlorKing's NEXGEN on-site chlorine generators are leading the way to better, safer water. Their unique, forward-thinking design generates liquid chlorine from salt that is stored on site and uses the pool as the source water for the product. NEXGEN eliminates the need for storing large amounts of chlorine and doesn't generate the odors associated with traditional chlorine. Any of the NEXGEN systems can be fully customized to meet your needs and are easy to install, maintain and operate.

The NEXGEN 10-R

The ChlorKing® NEXGEN 10-R is a stand-alone, on-site chlorine generator capable of producing 12 lbs of pH neutral equivalent chlorine per 24 hours. This is a low maintenance model which utilizes reverse polarity to clean the plates every 3 hours. The unique design uses swimming pool water to feed the generator and distribute chlorine to the pool as needed. Up to 6 bodies of water can be sanitized with one NEXGEN system using our venturi feed systems and can be used in conjunction with any ORP/pH controller. This product requires no salt in the swimming pool and will not raise TDS levels as with other chlorine generators. Hydrogen, the by-product is safely vented to atmosphere through a 2" PVC pipe on top of the production tank.

Specifications

- Touch-screen display
 - › Size 5" x 4" color display
 - › Resistive touch membrane overlay
- Built in safety sensors
 - › Air, water, pressure, & level sensors
 - › Power supply
 - › 50 amp 24v DC water-cooled
- Electrode stacks
 - › 1-12 lb, 15,000 hr reverse polarity in clear housing
- Operating temperature - Power supply cooling
 - › 35°F (2°C) to 115°F (46°C) air temperature
 - › 40°F (4°C) to 104°F (40°C) water temperature

- Pool source water
 - › Up to 94°F (34°C) water temperature
- Electrical specifications
 - › Max primary amps – (6)
 - › Voltage / Hz – (208-240v 50/60Hz single phase)
 - › Breaker required – (20 amp)
- Skid dimensions & weight
 - › 48" L x 28" W x 68" H (950 lbs)
 - › 48" L x 22" W x 40" H (salt feeder)
- Plumbing requirements
 - › 1.5" inlet and outlet requiring 40 gpm
 - › 2" outlet for hydrogen removal to atmosphere
 - › Maximum NEXGEN venturi return line pressure (including pool return line) - 25psi

Main Features

- On-site chlorine generator capable of producing 12 lbs (equivalent to 12 gal of 12% bleach) per 24 hrs.
- Process uses swimming pool water to produce HOCl (hypochlorous acid). No fresh water is added.
- No salt is required in the pool
- pH neutral chlorine produced (HOCl)
- Reverse polarity for low maintenance
- Programmable touch-screen with auto correct features
- Skid mounted on wheels for easy installation
- Water-cooled power supply

Applications

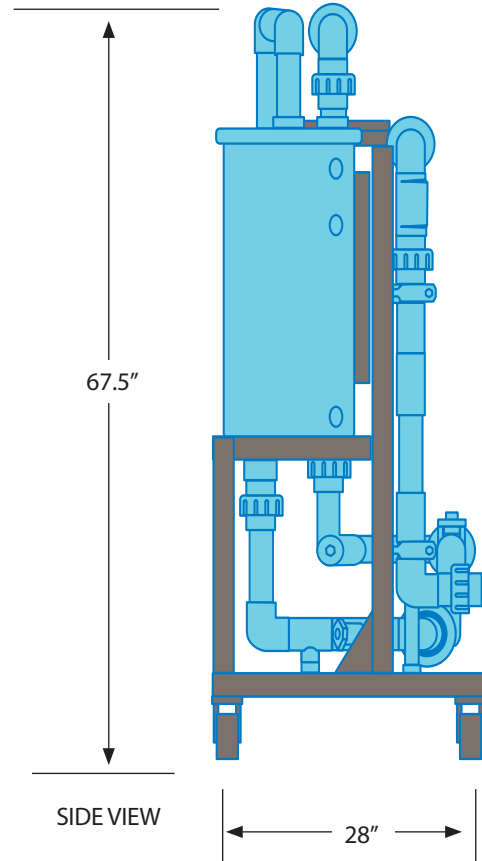
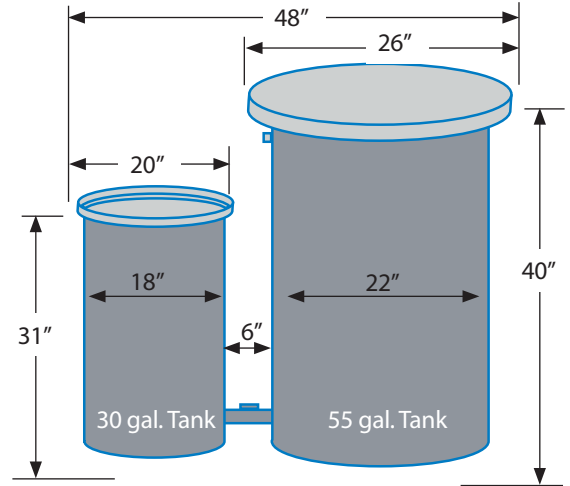
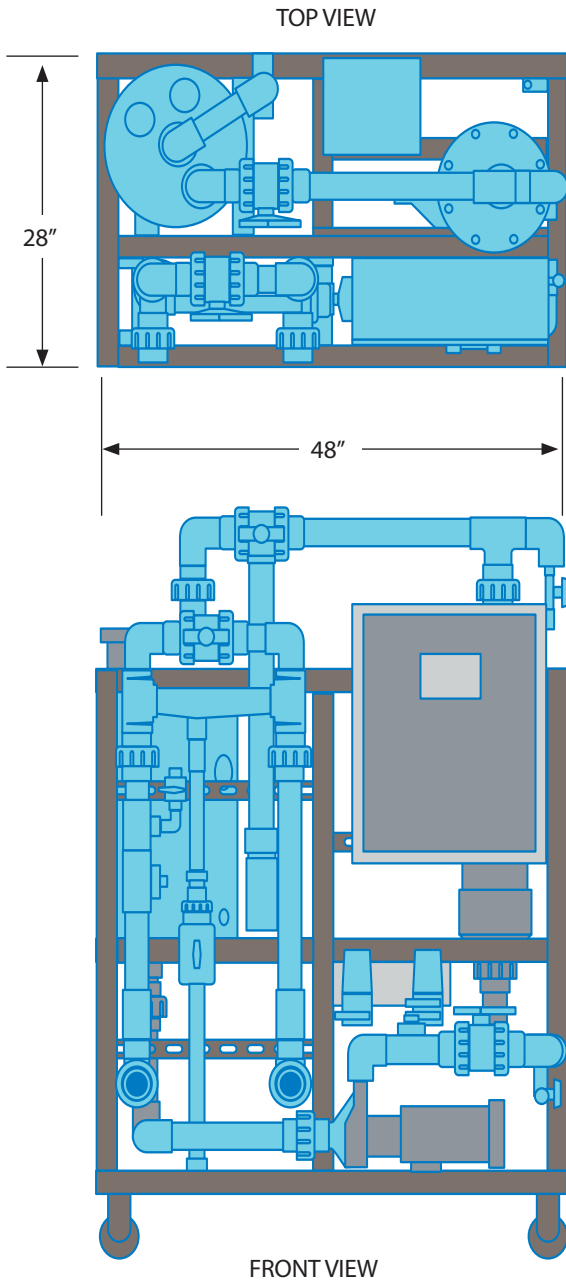
- Commercial swimming pools
- Water-parks
- Wave and surf riders

Order Information

- Product code: NEXGEN 10-R



NEXGEN®10-R Dimensions & Tank Layout



ChlorKing pioneered on-site chlorine generating technology in the 1970's. Realizing the potential for swimming pools and commercial applications, the company began generating "ultimate water" with simple, yet highly advanced technology. Today, ChlorKing® leads the way in commercial saline chlorination and is consistently seeking new frontiers in sanitizing solutions including ultraviolet light technology and their NEX-GEN® pH onsite chlorine generators. These environmentally friendly solutions are changing the way we treat H₂O.



Saferwaterthroughsmartertechnology.

Salt Chlorination Systems • Ultraviolet Light Systems • Mixed Oxidant Systems

ChlorKing Inc. 6767 Peachtree Industrial Blvd Norcross GA 30092 sales@chlorking.com 800.536.8180 chlorking.com